



Charlotte Beltloader Model CBL2000D is capable of servicing all types of aircraft with door sill heights ranging from 40" up to 172". Power for the main drive is supplied by a diesel engine which gives the unit a running speed of 20 mph (32 kmph).

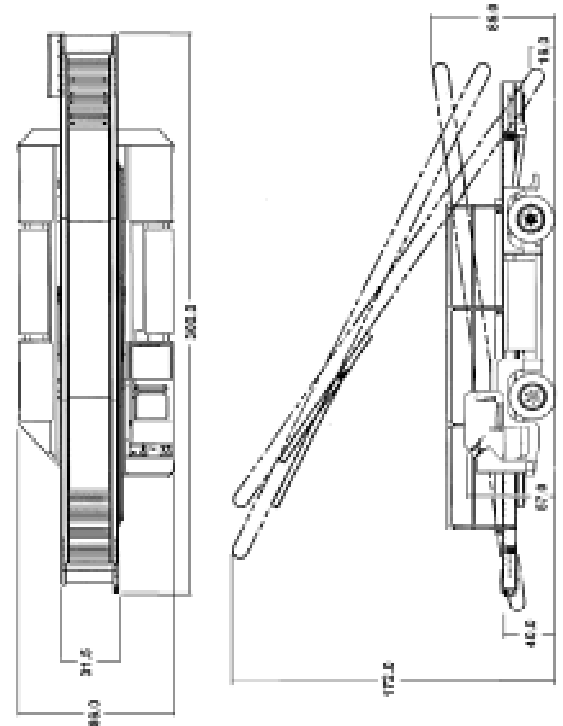
Standard Features Include:

- **Dual Hydraulic Braking (Front - Disc, Rear - Drum)**
- **Hydraulic Power Steering**
- **Flush Mounted Belt Controls**
- **Self-Aligning Belt with Adjustable Belt Speed**
- **Direct Drive Belt System**
- **Modular Chassis can be Converted to Electric Drive**

CBL2000D

TECHNICAL CHARACTERISTICS

Manufacturer	Manufacturer		Charlatte of America	
Model	Manufacturer's Designation		CBL2000D	
Engine	Manufacturer	Diesel	DEUTZ	
	Model		F4M 2011	
Transmission	Manufacturer	Diesel	Perkins	
	Model		804C	
Dimensions	Manufacturer		Ford	
	Model		C6 2 Speed Automatic 1-Speed Reverse w/cooler	
Performance	Length w/o Belt Structure Guard	in / cm	300.0 / 762.0	
	Width	in / cm	86.0 / 218.4	
	Height (over steering wheel)	in / cm	58.0 / 147.3	
	Sitting Height	in / cm	35.5 / 90.2	
	Outside Turning Radius (Belt)	ft / cm	25.0 / 762.0	
	Outside Turning Radius (Chassis)	ft / cm	23.0 / 701.0	
Chassis	Speed Empty	mph / km/h	20 / 32	
	Gross Weight	lb / kg	7850 / 3568	
Chassis	Frame Mfg. W/Jigs & Fixtures		Yes	
	Auto Design Wiring Harness		Yes	
	Wheels Front/Rear		One Piece Rim	
	Tires Front	Front/Rear	225/75 R16	
	Wheel Base C/L	in / cm	112.0 / 284.5	
	Track Width C/L Front/Rear	in / cm	69 / 175.3	
	Ground Clearance	in / cm	6.5 / 16.5	
	Service Brake Front/Rear		Disc / Drum	
	Parking Brake		Drum	
	Suspension	Front		Solid
		Rear		Two – 6 Leaf Springs
Belt Structure	Drive System		Hydro/Electric	
	Boom Width	in / cm	31.5 / 80.0	
	Belt Width	in / cm	24.0 / 60.96	
	Roller Spacing	in / cm	6.0 / 15.2	
	Belt Height Front Max/Min	in / cm	172/436.8 – 40.0/101.6	
	Belt Height Rear Max/Min	in / cm	85.0/215.9 – 16.0/40.6	
	Belt Speed Max/Min	ft/min/cmpm	30.0/914.4 – 100.0/3048.0	
	Belt Length	in / cm	297.0 / 754.4	
	Optional Boom Length	in / cm	354.3 / 900.0	
	Power Roller Diameter	in / cm	9.0 / 22.9	
	Drive Axle	Manufacturer		Newage
Model			215 PB	
Reduction			14.8 : 1	
Motor Drive Line			Yes	
Manufacturer			Carraro	
Reduction			5.87 : 1	
Steer Axle	Manufacturer		Palliard	



CHARLATTE
G S E
FAYAT GROUP

Charlatte America

P.O. Box 968
600 Mountain Lane
Bluefield, VA 24605
Phone: (276) 326-1510
Fax: (276) 326-1602
e-mail: equipmentsales@charlatteus.com

Charlatte France

Z.I. – Route du Boutoir
89210 Brienon sur Armancon (France)
Phone: (33) 386 43 01 30
Fax: (33) 386 43 04 66
e-mail: contact@charlattemanutention.fayat.com

Charlatte United Kingdom

LSUK Building
Spindle Way
RH10 1TG Crawley West Sussex
United Kingdom
Phone: (44) 01 293 529 640
e-mail: ukparts@charlattemanutention.fayat.com

These descriptions are given as an indication only and do not represent a commitment